



# Customized

Aluminium Folding Door  
For the local needs

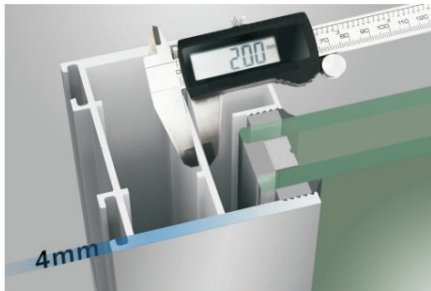


# The Company

3i Group, a facade solutions provider for the local market, delivers more than products to our customers. 3i has the know-how on standardisation, systematic and modern fabrication arrangement. Our door systems are designed, developed, tested, refined and fabricated in our wholly owned factory to ensure performance and quality. 3i Group provides one-stop services and delivers hearts and experiences to our customers.

## Function and Quality

Down to the finest details



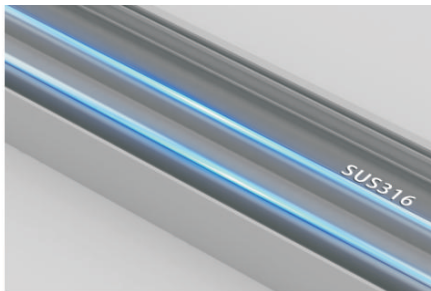
### Profile Wall Thickness

Structural wall thickness complies with local requirements.



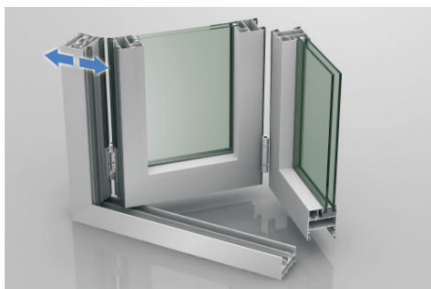
### Corner Construction

Sophisticated design at corner joints for highest level of waterproofing performance.



### Grade 316 Stainless Steel Roller Track

Durable components enable effortless operation as well.



### Frame Adjustment

Frame can be adjusted horizontally after installation.



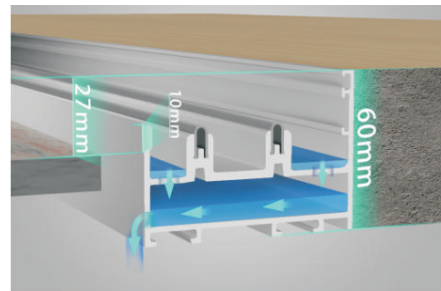
### Safe for User

Double gasket design avoids injury to user during careless operation



### Slim Profiles

Design provides aesthetic outlook and large proportion of visual glass area



### Shallow Bottom Profile

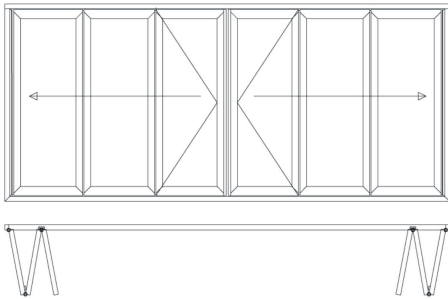
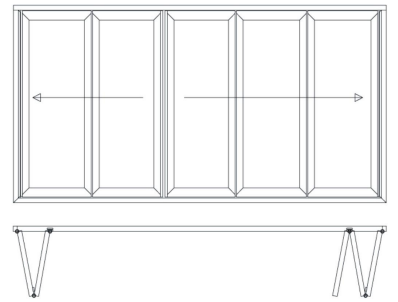
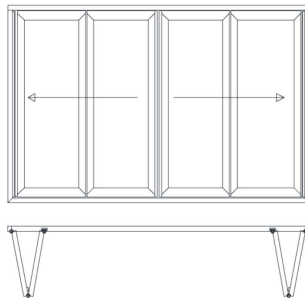
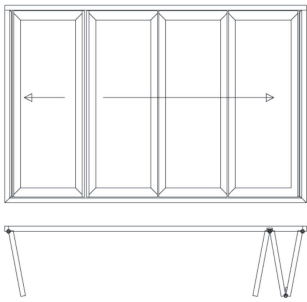
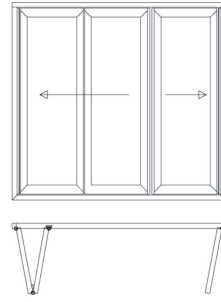
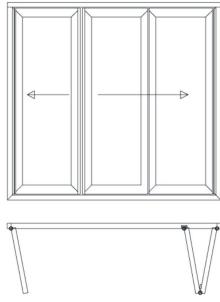
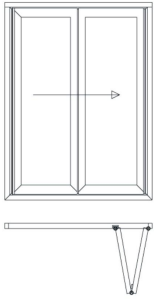
Bottom track enables minimized internal /external level difference and give efficient waterdrainage.



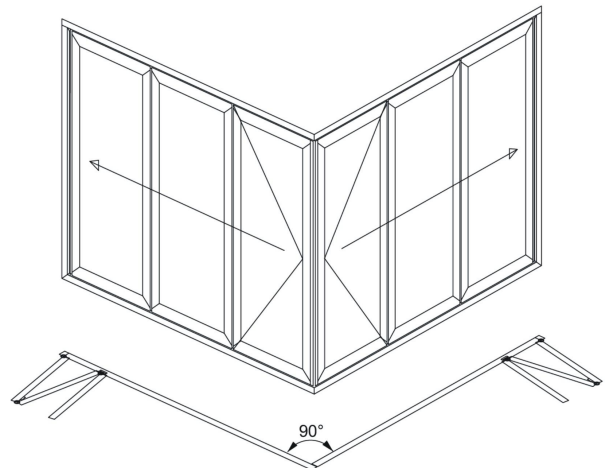
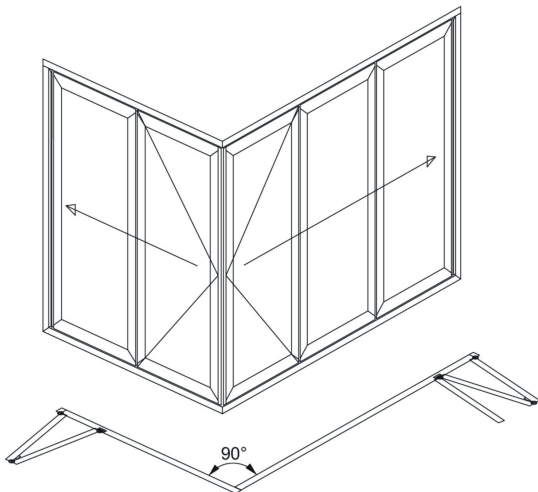
### Sash Adjustment

Sash can be adjusted vertically after installation.

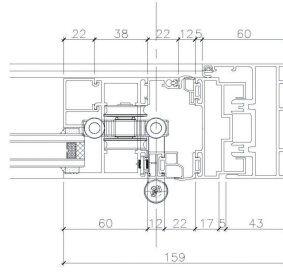
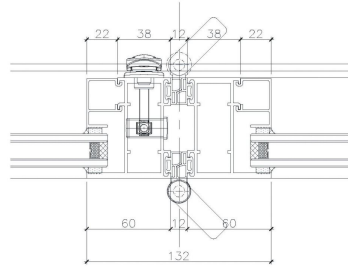
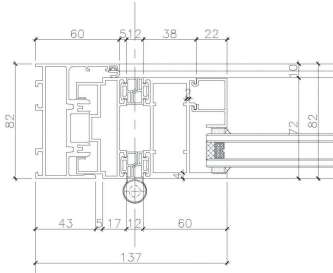
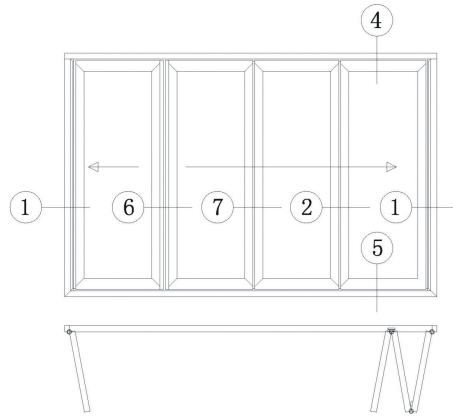
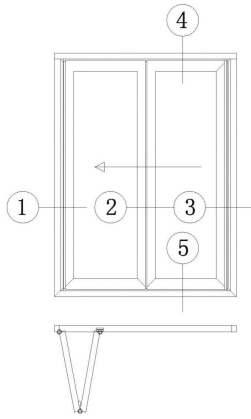
## System Variety(Basic Version)



## Corner solutions (Without corner post)



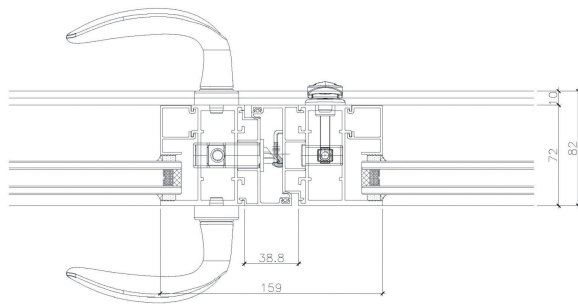
# System Details(Basic Version)



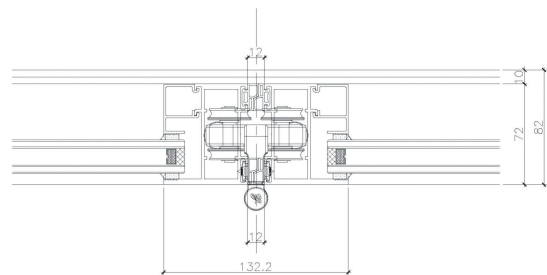
1

2

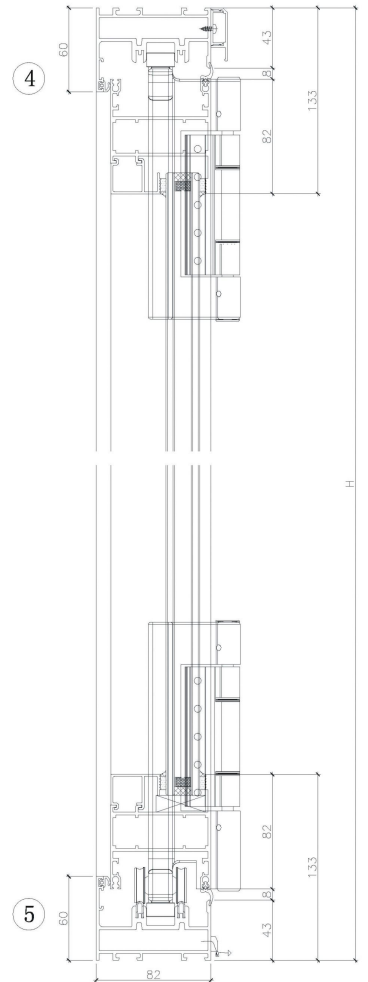
3



6



7



4

5

# System Advantage

- .Maximum panel weight up to 120kg
- .Maximum panel width 1200 mm
- .Maximum panel height 3000 mm
- .Glazing thickness 8-45 mm
- .Matching colour of exposed fittings possible

## Performance

### 1.Basic Version

- \*Water Tightness Test to ASTM E331/Modified AAMA 501.1  
Static at 1.00kPa  
Dynamic at 1.00kPa

### \*Structural Adequacy

- Design Wind Load: +2.94kPa/-4.12kPa
- Test to PNAP APP-37 up to +3.68kPa/-5.15kPa

### \*Air Infiltration Test to ASTM E283

300Pa

\*Results of performance tests in Hong Kong testing laboratory.  
Please contact us for more details.

### 2.Reinforced Version

- \*Water Tightness Test to ASTM E331/Modified AAMA 501.1  
Static at 1.75kPa  
Dynamic at 1.00kPa

### \*Structural Adequacy

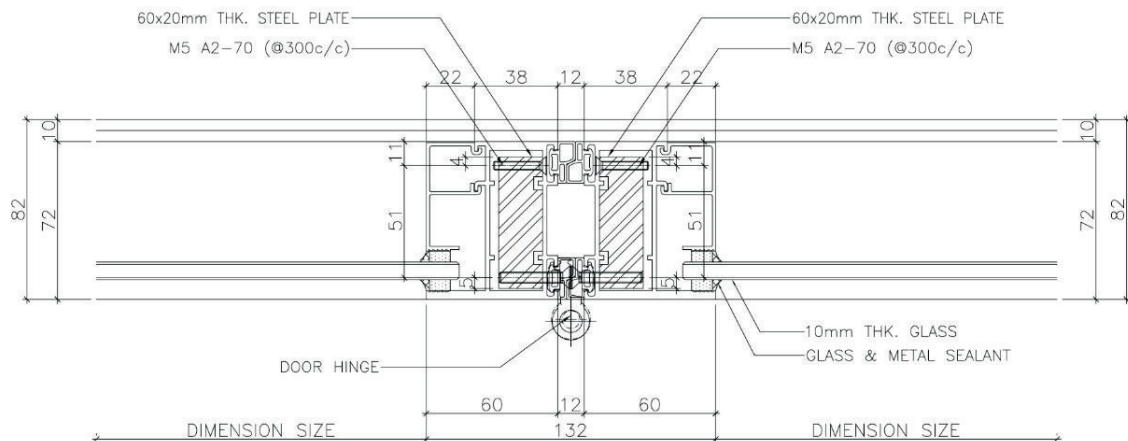
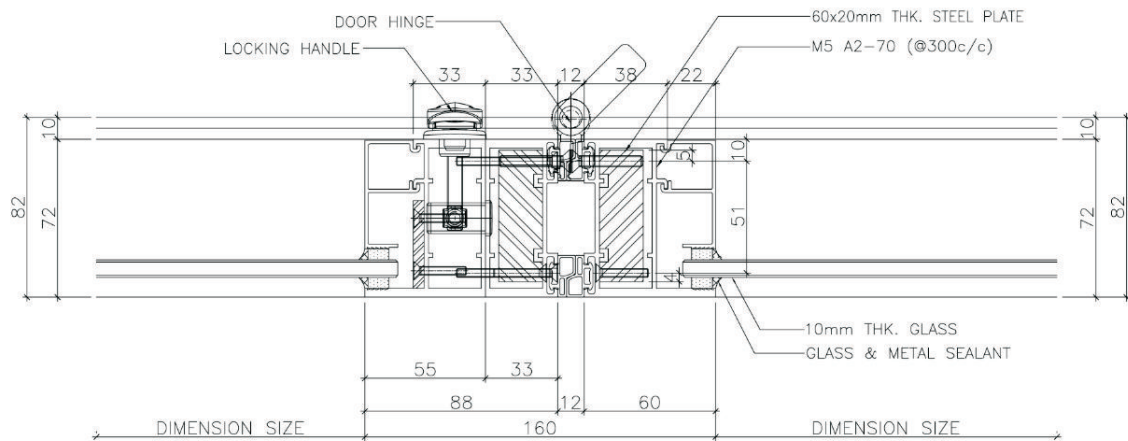
- Design Wind Load: +3.05kPa/-4.27kPa
- Test to PNAP APP-37 up to +3.81kPa/-5.34kPa

### \*Air Infiltration Test to ASTM E283

300Pa

## Reinforced Version

### Reinforced Details





3 Intelligence Hong Kong Limited  
Room 1110, 11/F., Block A, Veristrong Industrial Centre, 34-36 Au Pui Wan Street, Fo Tan, N.T. Hong Kong  
Tel: (852) 2116 0815 Fax: (852) 2116 1329  
[www.3intelligence.com.hk](http://www.3intelligence.com.hk) [info@3intelligence.com.hk](mailto:info@3intelligence.com.hk)